



TYPE 600

Brass Ball Valve (Threaded)

Fig. 1207

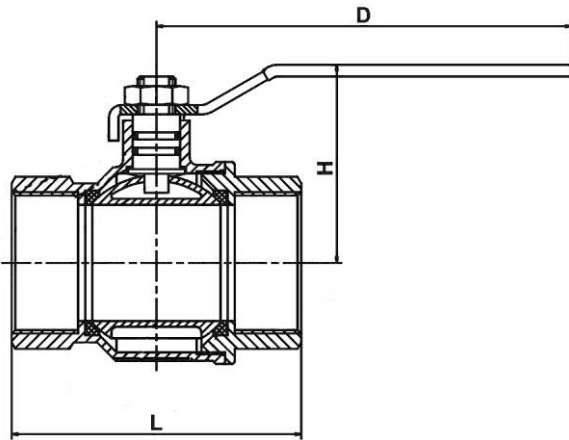


Specification

Screwed Body Cap • Full Bore
Blow-out Proof Stem • PTFE Seat
Threaded to BS 21 (ISO7) / ASME B1.20.1
Size Range: 8mm(1/4")~100mm(4")

Pressure Ratings

Working Pressure	600 psi (41.3 bar) WOG Non-Shock 150 psi (10.3 bar) Saturated Stem
Testing Pressure	Shell: 900 psi (62 bar) Hydrostatic Seat: 660 psi (45.5 bar) Hydrostatic 80 psi (5.5 bar) Air
Suitable Media	Water, Oil, Gas



Material List

Part Name	Material	ASTM	BS EN
Body	Brass	B124 C37700	12165 CW617N
Cap	Brass	B124 C37700	12165 CW617N
Ball	Brass	B124 C37700	12165 CW617N
Seat	PTFE		
Stem	Brass Rod	B124 C37700	12165 CW617N
O-Ring	NBR		
Handle	Steel	A709 36	

Dimension

Size	mm	8	10	15	20	25	32	40	50	65	80	100
	Inch	1/4	3/8	1/2	3/4	1	1-1/4	1-1/2	2	2-1/2	3	4
L		46	46	48.5	55	64.5	75	85	99	120	136	156
H		46	46	48	52.5	58	71	76	90	100	110	127
D		72	72	97	97	104	123	123	150	225	225	225